

# PRODUCT INFORMATION PACKET

Model No: 145TTDR6006  
Catalog No: GT0509  
3,3600,DP,145JM,3/60/575  
JM



Regal and Marathon are trademarks of Regal Beloit Corporation or one of its affiliated companies.  
©2018 Regal Beloit Corporation, All Rights Reserved. MC017097E



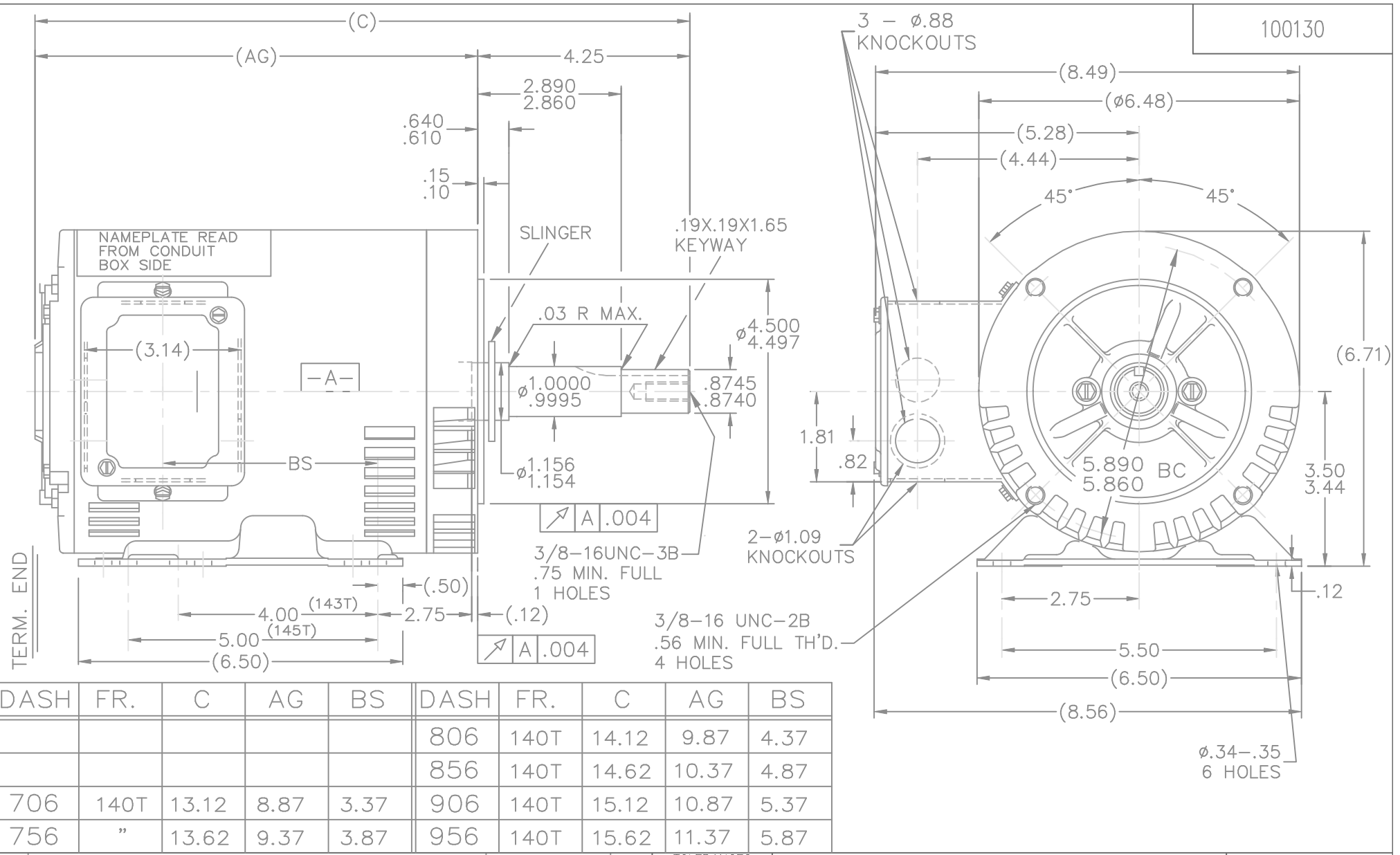
### Nameplate Specifications

Output HP	<b>3 Hp</b>	Output KW	<b>2.2 kW</b>
Frequency	<b>60 Hz</b>	Voltage	<b>575 V</b>
Current	<b>3.0 A</b>	Speed	<b>3510 rpm</b>
Service Factor	<b>1.15</b>	Phase	<b>3</b>
Efficiency	<b>87.5 %</b>	Duty	<b>Continuous</b>
Insulation Class	<b>F</b>	Design Code	<b>B</b>
KVA Code	<b>M</b>	Frame	<b>145JM</b>
Enclosure	<b>Drip Proof</b>	Overload Protector	<b>No</b>
Ambient Temperature	<b>40 °C</b>	Drive End Bearing Size	<b>6206</b>
Opp Drive End Bearing Size	<b>6203</b>	UL	<b>Recognized</b>
CSA	<b>Y</b>	CE	<b>Y</b>
IP Code	<b>22</b>		

### Technical Specifications

Electrical Type	<b>Squirrel Cage Inverter Rated</b>	Starting Method	<b>Line Or Inverter</b>
Poles	<b>2</b>	Rotation	<b>Reversible</b>
Mounting	<b>Rigid base</b>	Motor Orientation	<b>Horizontal</b>
Drive End Bearing	<b>Ball</b>	Opp Drive End Bearing	<b>Ball</b>
Frame Material	<b>Rolled Steel</b>	Shaft Type	<b>JM</b>
Overall Length	<b>15.12 in</b>	Frame Length	<b>9.06 in</b>
Shaft Diameter	<b>0.875 in</b>	Shaft Extension	<b>4.25 in</b>
Assembly/Box Mounting	<b>F1 Only</b>		
Outline Drawing	<b>A-100130-906</b>	Connection Diagram	<b>A-EE7300</b>

This is an uncontrolled document once printed or downloaded and is subject to change without notice. Date Created: 06/29/2018



				TOLERANCES UNLESS SPECIFIED		MARATHON ELECTRIC		DRAWN SMC 09-30-1999	
				DEC.	INCHES			CHK	ET 01-24-1999
5	UPDATED DRAWING			RJW 03-28-2007	ML	.X	$\pm$ .1	APPD	ML 01-24-1999
4	REMOVED THE DASH VALUE 656. ECN:9600			NB 11-20-2006		.XX	$\pm$ .03	SCALE	3=8
3	REDRAWN IN AUTOCAD			TAT 07-06-2004	ML	.XXX	$\pm$ .005	REF	
2	ADDED PACKAGING DIMS. CN 27400-456			SMC 09-30-1999		.XXXX	$\pm$ .0005	FMF	
1	REDRAWN ON CADD, ADDED DASH 956 3877534			SMC 01-23-1992		ANG	$\pm$ 7'30"	PREV	
NO.	REVISION			BY & DATE	CHK				
THIS DRAWING IN DESIGN AND DETAIL IS OUR PROPERTY AND MUST NOT BE USED EXCEPT IN CONNECTION WITH OUR WORK ALL RIGHTS OF DESIGN AND INVENTION ARE RESERVED THIS IS AN ELECTRONICALLY GENERATED DOCUMENT - DO NOT SCALE THIS PRINT				RFP	CAD FILE 100130			SIZE	DRAWING NO. PAGE OF REV.
				DIST	WP			A	100130 5

**THREE PHASE - SINGLE VOLTAGE  
MOTOR - CONDUIT BOX @ 'A'**

**TO REVERSE ROTATION:  
INTERCHANGE ANY TWO  
LINE LEAD CONNECTIONS.**

**TERMINAL BLOCK WHEN SPECIFIED**



**VIEW OF TERMINAL END**

**IF MOTOR HAS  
6 LEADS**

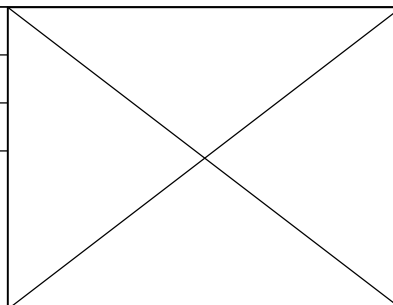



**A-9806 DECAL**

**OPTIONAL CORD  
CONNECTION**

- L1 WHITE
- L2 RED
- L3 BLACK

DRAWING REVISION <b>AB</b>	REVISION BY <b>JJB</b>	DATE <b>06-27-2017</b>
ECO <b>ECO-0125361</b>	APPROVED BY <b>TB</b>	DATE <b>06-27-2017</b>
ECO DESCRIPTION <b>UPDATED TO CURRENT STANDARDS</b>		
<small>COPYRIGHT REGAL BELOIT AMERICA, INC. ALL RIGHTS RESERVED.                  PROPRIETARY AND CONFIDENTIAL INFORMATION - THIS DOCUMENT IS THE PROPERTY OF                  REGAL BELOIT AMERICA, INC. ("OWNER") AND CONTAINS OWNER'S PROPRIETARY                  INFORMATION. ANY PERSON, CORPORATION OR OTHER FIRM RECEIVING IT IS DEEMED,                  BY RECEIVING IT, TO AGREE THAT IT, AND/OR ANY PART OF IT, SHALL NOT BE DISCLOSED                  TO ANY PERSON, CORPORATION OR OTHER ENTITY, DUPLICATED, AND/OR USED, EXCEPT                  AS EXPRESSLY APPROVED IN WRITING IN ADVANCE BY OWNER. THIS DOCUMENT SHALL                  BE RETURNED TO OWNER UPON REQUEST. IT MAY BE SUBJECT TO CERTAIN                  RESTRICTIONS UNDER APPLICABLE EXPORT CONTROL LAWS AND REGULATIONS.</small>		



DRAWN BY <b>DA</b>	 <b>Regal Beloit America, Inc.</b>
DATE <b>03-26-1993</b>	
APPROVED BY <b>TB</b>	DESCRIPTION <b>CONNECTION DIAGRAM</b>
DATE <b>03-26-1993</b>	<b>EXTERNAL - SINGLE VOLTAGE - 3Ø MOTOR</b>
REFERENCE	MATERIAL
PROCESS/FINISH	
THIRD ANGLE PROJECTION	SIZE <b>A</b>
	DRAWING NUMBER <b>EE7300</b>
	SHEET <b>1 OF 1</b>





Submittal  
Data @ 575 V

Date: 6/20/2017

Customer: \_\_\_\_\_  
Attention: \_\_\_\_\_  
Submitted by: FAREEDA DUDEKULA

Motor Load Data

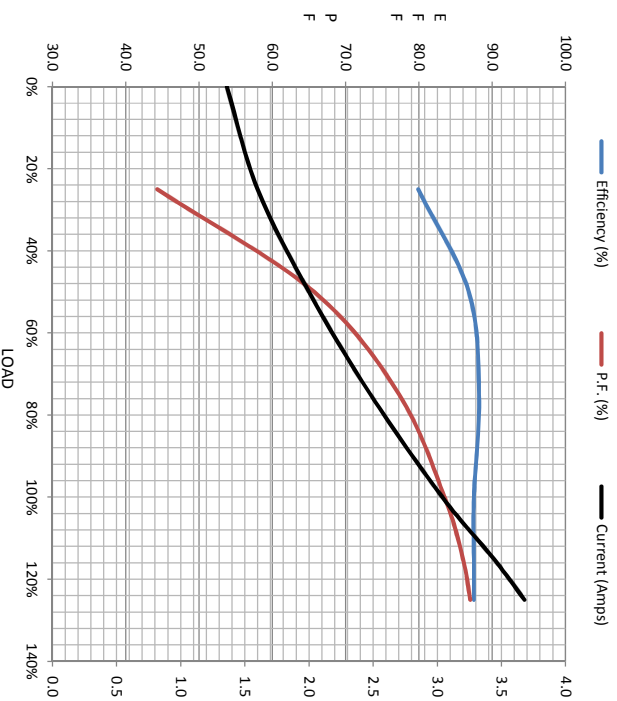
Load	0%	25%	50%	75%	100%	115%	125%	LR
Current (Amps)	1.36	1.60	2.00	2.48	3.0	3.4	3.7	32.9
Torque (ft-lb)	0.00	1.10	2.21	3.3	4.5	5.2	5.7	17.8
RPM	3600	3580	3560	3535	3510	3495	3485	0
P.F. (%)	10.9	79.9	86.8	88.2	87.5	87.5	87.5	65.4
		44.3	65.7	77.3	83.5	86.0	87.0	

Motor Speed Data

	LR	Pull-Up	BD	Rated	Idle
Speed (rpm)	0	255	2310	3510	3600
Current (Amps)	32.9	32.3	23.8	3.0	1.36
Torque (ft-lb)	17.8	15.7	23.2	4.5	0.00

Information Block

HP	3.0
Sync. RPM	3600
Frame	145
Enclosure	DP
Construction	TDR
Voltage	575 V
Frequency	60 HZ
Design	A
LR Code letter	M
Service Factor	1.15
Temp Rise @ FL	41 °C
Duty	CONT
Ambient	40 °C
Elevation	1,000 feet
Rotor/Shaft wkt	0.05 Lb-Fe
Rel Wdg	Z12175 NONE
Sound Pressure @ 1M	68 dBA
VFD Rating	CONSTANT 10:1
Outline Dwg	A-100130-906
Conn. Diag	A-EE7300
Additional Specifications:	
EQUIV CKT (OHMS / PHASE)	
R1	R2
6.0600	3.5480
X1	X2
8.4250	7.8940
Xm	Xn
	271.2360



Speed - Torque Curve

